



# Epperson & Company

5202 Shadowlawn  
P.O. Box 11535  
Tampa, FL 33680

Tampa 813-626-6125  
Polk Co. 813-682-1258  
Wats 1-800-886-6125  
Fax # 813-626-8806

## YOUR SOURCE FOR INSTRUMENTATION AND CONTROLS

### PRODUCTS:

ASHCROFT:..... Pressure and Temperature Gauges and Switches,  
Diaphragm Seals, Transducers/Transmitters,  
Test Equipment, Thermowells and Gauge  
Accessories.

MCDONNELL & MILLER:....Flow Switches, Level Controls, Low Water  
Cut Off and Feeders.

HONEYWELL:.....Tradeline Products and Controls.

JOHNSON & PENN:..... Pressure and Temperature Switches and Controls.

ITT GENERAL CONTROLS:..Solenoid Valves, Asco and Konan Valves and  
Actuators.

MAXON:.....Gas and Oil Supply Valves and Burners.

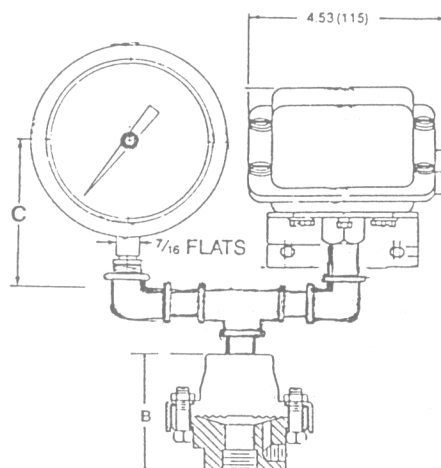
DWYER/MERCOID:.....Gauges and Switches.

ACCUSTAT, RANCO, WHITE RODGERS, PARAGON & More, Call Us !

### SERVICES:

CALIBRATION:.....NIST Tracable Pressure Gauge Calibration  
up to 10,000 PSI. 1-2 Day Turnaround most cases.

CHEMICAL SEALS:.....Diaphragm Seal Repair, Filling and Testing.



INDUSTRIAL EQUIPMENT SPECIALISTS