

FREEMAN

13101 Alameda Rd.

Houston, Texas 77045

Ph: 713-433-2400 • Fax: 713-433-9441

FreemanHoustonES@freemanco.com



**DEADLINE DATE
SEPTEMBER 17, 2009**

**INCLUDE THE FREEMAN
METHOD OF PAYMENT
FORM WITH YOUR ORDER**

NAME OF SHOW: **ISA EXPO 2009 / 6 - 8 OCTOBER**

COMPANY NAME _____ BOOTH #: _____

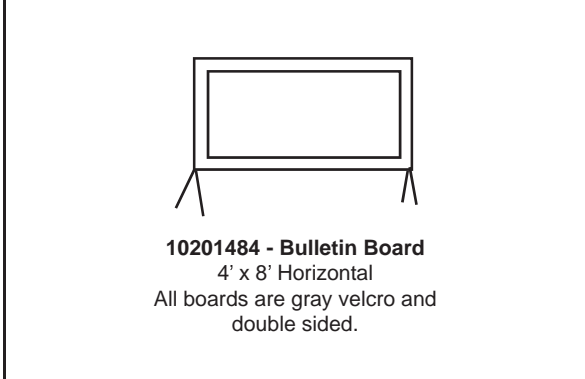
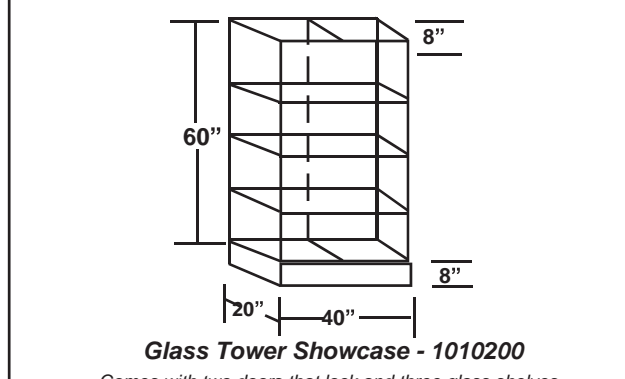
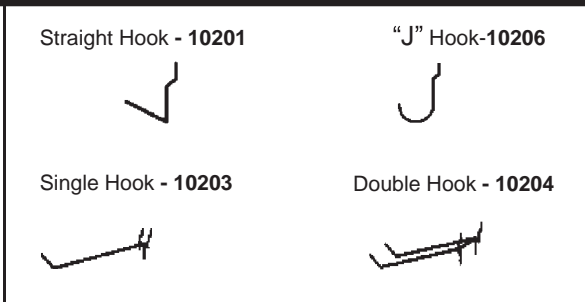
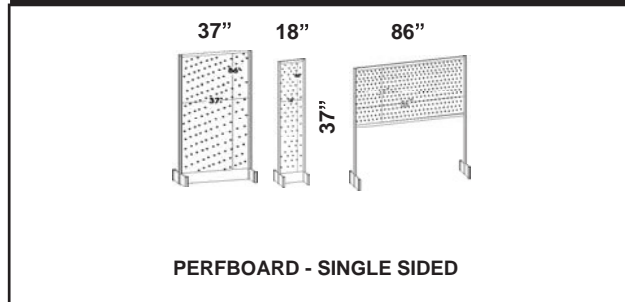
CONTACT NAME: _____ PHONE #: _____

E-MAIL ADDRESS _____

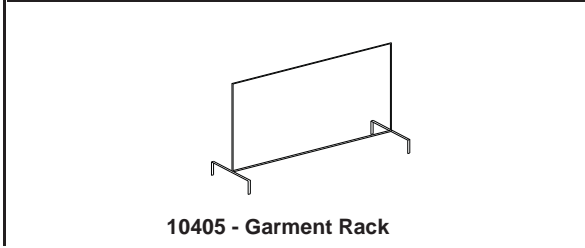
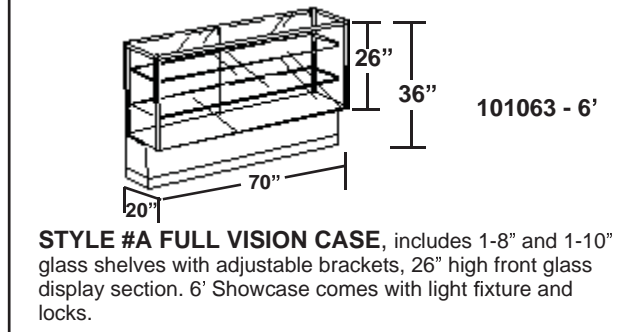
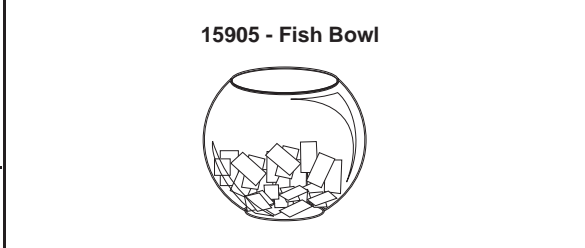
For Assistance, please call 713-433-2400 to speak with one of our experts.

For fast, easy ordering, go to www.myfreemanonline.com

ACCESSORIES



1. Lessee will be responsible for any damages to display fixtures during the event.
2. There will be a replacement charge of \$10.00 on all lost keys.
3. Electrical hookup must be ordered through the Electrical order form included in your service manual.



PERFBOARD

*Please circle choice of Perfbord

	Horizontal	Vertical	
_____ 173519	1M x 8'H Perfbord Panel*..	223.00	289.90 _____
_____ 173524	1/2Mx8'H Perfbord Panel*..	115.00	149.50 _____

SHOWCASES

_____ 101063	Full Vision Case - 6'.....	270.00	351.00 _____
_____ 1010200	Glass Tower Case	300.25	390.35 _____

MISCELLANEOUS

_____ 10405	Garment Rack	80.00	104.00 _____
_____ 15905	Fish Bowl.....	13.00	16.90 _____
_____ 10201	2" Straight Hook (each)30	.40 _____
_____ 10206	"J" Loop Hook (each).....	.30	.40 _____
_____ 10203	6" Single Hook (each).....	.30	.40 _____
_____ 10204	6" Double Hook (each)	1.42	1.85 _____
_____ 10201484	Bulletin Board	152.25	197.95 _____

Sub-Total _____ + Tax (8.25%) _____ = TOTAL _____

FREEMAN accessories